

ENGLISH
ESPAÑOL



TRUPER®

Manual

Electric planer

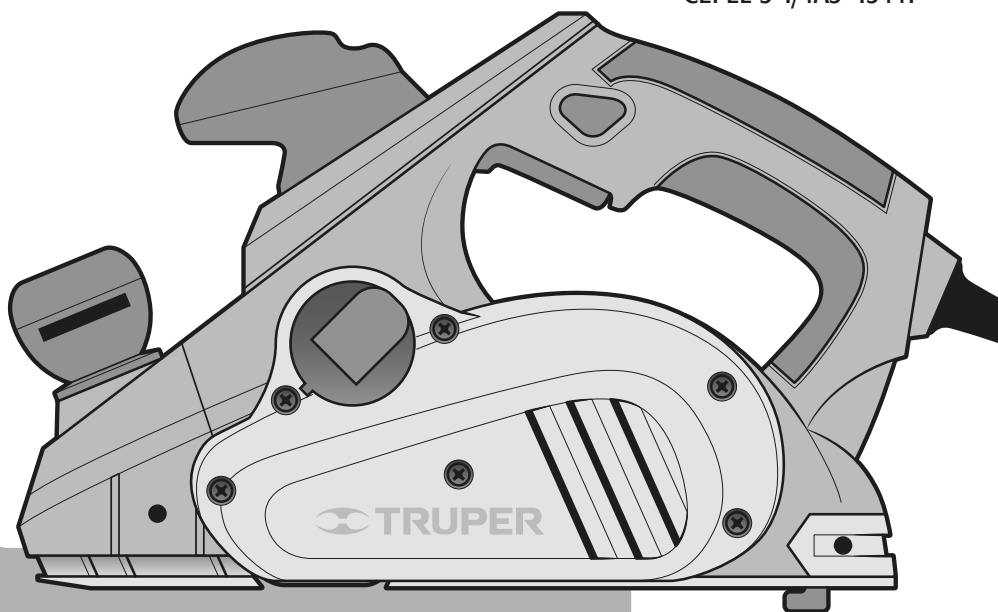
1.1 Hp
Power

Applies for:

Model

Code

CEPEL-3-1/4A3 13441





CEPEL-3-1/4A3

⚠ CAUTION

Read this manual thoroughly
before using the tool.



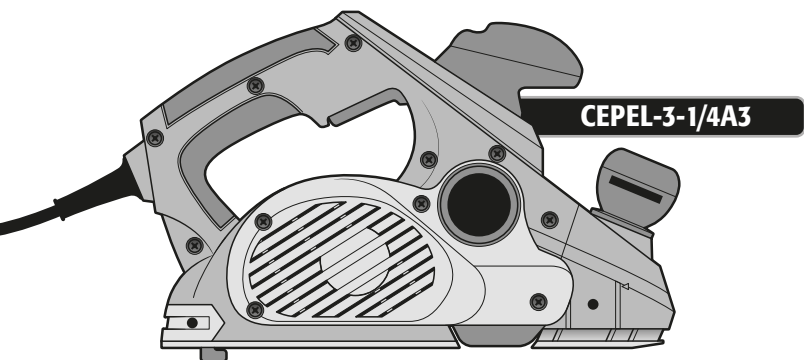
Technical Data	3
Power Requirements	3
 General power tool safety warnings	4
 Safety warnings for electric planers	5
Parts	6
Assembly	7
Start Up	7
Maintenance	9
Authorized Service Centers	10
Branches	12
Warranty Policy	12

 CAUTION

To gain the best performance of the tool, prolong the duty life, make the Warranty valid if necessary, and to avoid hazards or fatal injuries please read and understand this Manual before using the tool.

Keep this manual for future references.

The illustrations in this manual are for reference only. They might be different from the real tool.



CEPEL-3-1/4A3

Code	•	13441		
Description	•	Electric planer		
Voltage	•	120 V~		
Frequency	•	60 Hz		
Current	•	7 A		
Power	•	1.1 Hp		
Speed	•	16 000 RPM		
Duty cycle	•	30 minutes work per 15 minutes idle. Maximum 3 hours per day.		
Conductors	•	16 AWG x 2C with insulating temperature of 221 °F		
Insulation	•	Class II		
		IP Grade	•	IP20

Power Cord Grips used in this product: Type Y.
 Tool Build Quality: Reinforced Insulation.
 Thermal insulation on motor winding: Class E.

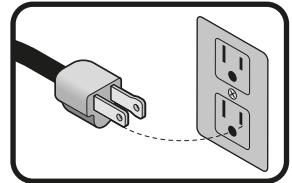
⚠ WARNING Avoid the risk of electric shock or severe injury. When the power cable gets damaged it should only be replaced by the manufacturer or at a **TRUPER** Authorized Service Center. The build quality of the electric insulation is altered if spills or liquid gets into the tool while in use. Do not expose to rain, liquids and/or dampness.



⚠ WARNING Before gaining access to the terminals all power sources should be disconnected.

Power Requirements

⚠ WARNING Tools with double insulation are equipped with a polarized plug (one prong is wider than the other). This plug will only fit in the right way into a polarized outlet. If the plug cannot be introduced into the outlet, reverse the plug. If it still doesn't fit, call a qualified electrician to install for you a polarized outlet. Do not alter the plug in any way. Double insulation eliminates the need of a grounded third power cord with three prongs or a grounded power connection.



⚠ WARNING When using an extension cable, verify the gauge is enough for the power that your product needs. A lower gauge cable will cause voltage drop in the line, resulting in power loss and overheating. The following table shows the right size to use depending on cable's length and the ampere capability shown in the tool's nameplate. When in doubt use the next higher gauge.

Ampere Capacity	Number of Conductors	Extension gauge	
		from 5.9' to 49.2'	higher than 49.2'
from 0 A and up to 10 A	3 (one grounded)	18 AWG(*)	16 AWG
from 10 A and up to 13 A		16 AWG	14 AWG
from 13 A and up to 15 A		14 AWG	12 AWG
from 15 A and up to 20 A		8 AWG	6 AWG

* It is safe to use only if the extensions have a built-in artifact for over current protection.

AWG = American Wire Gauge. Reference: NMX-J-195-ANCE-2006

⚠ WARNING When operating power tools outdoors, use a **voltech** grounded extension cable labeled "For Outdoors Use". These extensions are specially designed for operating outdoors and reduce the risk of electric shock.

WARNING! Read carefully all safety warnings and instructions listed below. Failure to comply with any of these warnings may result in electric shock, fire and / or severe damage. **Save all warnings and instructions for future references.**

Work area

Keep your work area clean, and well lit.

Cluttered and dark areas may cause accidents.



Never use the tool in explosive atmospheres, such as in the presence of flammable liquids, gases or dust.

Sparks generated by power tools may ignite the flammable material.



Keep children and bystanders at a safe distance while operating the tool.

Distractions may cause losing control.



Electrical Safety

The tool plug must match the power outlet. Never modify the plug in any way. Do not use any adapter plugs with grounded power tools.

Modified plugs and different power outlets increase the risk of electric shock.



Avoid body contact with grounded surfaces, such as pipes, radiators, electric ranges and refrigerators.

The risk of electric shock increases if your body is grounded.

Do not expose the tool to rain or wet conditions.

Water entering into the tool increases the risk of electric shock.

Do not force the cord. Never use the cord to carry, lift or unplug the tool. Keep the cord away from heat, oil, sharp edges or moving parts.

Damaged or entangled cords increase the risk of electric shock.

When operating a tool outdoors, use an extension cord suitable for outdoor use.

Using an adequate outdoor extension cord reduces the risk of electric shock.

If operating the tool in a damp location cannot be avoided, use a ground fault circuit interrupter (GFCI) protected supply.

Using a GFCI reduces the risk of electric shock.

Personal safety

Stay alert, watch what you are doing and use common sense when operating a tool. Do not use a power tool while you are tired or under the influence of drugs, alcohol or medication.

A moment of distraction while operating the tool may result in personal injury.

Use personal protective equipment. Always wear eye protection.

Protective equipment such as safety glasses, anti-dust mask, non-skid shoes, hard hats and hearing protection used in the right conditions significantly reduce personal injury.



Prevent unintentional starting up. Ensure the switch is in the "OFF" position before connecting into the power source and / or battery as well as when carrying the tool.

Transporting power tools with the finger on the switch or connecting power tools with the switch in the "ON" position may cause accidents.

Remove any wrench or vice before turning the power tool on.

Wrenches or vices left attached to rotating parts of the tool may result in personal injury.

Do not overreach. Keep proper footing and balance at all times.

This enables a better control on the tool during unexpected situations.

Dress properly. Do not wear loose clothing or jewelry. Keep hair, clothes and gloves away from the moving parts.

Loose clothes or long hair may get caught in moving parts.



If you have dust extraction and recollection devices connected onto the tool, inspect their connections and use them correctly. Use these devices reduce dust-related risks.

Power Tools Use and Care

Do not force the tool. Use the adequate tool for your application.

The correct tool delivers a better and safer job at the rate for which it was designed.



Do not use the tool if the switch is not working properly.

Any power tool that cannot be turned ON or OFF is dangerous and should be repaired before operating.

Disconnect the tool from the power source and / or battery before making any adjustments, changing accessories or storing.

These measures reduce the risk of accidentally starting the tool.

Store tools out of the reach of children. Do not allow persons that are not familiar with the tool or its instructions to operate the tool.

Power tools are dangerous in the hands of untrained users.



Service the tool. Check the mobile parts are not misaligned or stuck. There should not be broken parts or other conditions that may affect its operation. Repair any damage before using the tool.

Most accidents are caused due to poor maintenance to the tools.

Keep the cutting accessories sharp and clean.

Cutting accessories in good working conditions are less likely to bind and are easier to control.



Use the tool, components and accessories in accordance with these instructions and the projected way to use it for the type of tool when in adequate working conditions.

Using the tool for applications different from those it was designed for, could result in a hazardous situation.

Service

Repair the tool in a TRUPER Authorized Service Center using only identical spare parts.


This will ensure that the safety of the power tool is maintained.



This tool is in compliance with the Official Mexican Standard (NOM - Norma Oficial Mexicana).

Safety warnings for electric planers

Before operating the tool

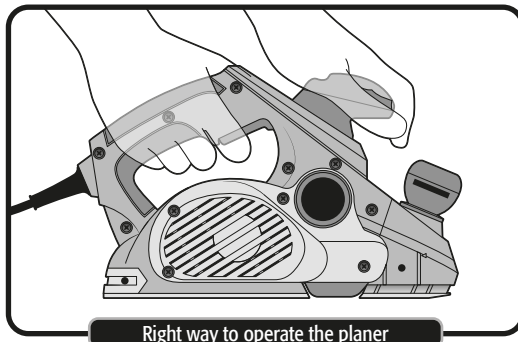
- Unroll the entire extension cord to prevent potential overheating. 
- Double-check the power outlet tension is the same as the rated tension described in your tool.
- ⚠ CAUTION** • Remove from the work place any rags, clothes, ropes or any object that could get caught in the tool's blades.
- ⚠ WARNING** • Remove nails, screws or any object found in the work piece. Those objects will damage the blades and the tool. They also represent a safety hazard.
- ⚠ CAUTION** • Before starting any job double-check the entire blade's fitting screws are securely fastened.
- Before operating the tool, set it ON and leave it running for several minutes. Verify if there are any vibrations indicating a wrong assembly or an ill-balanced blade.

While operating the tool

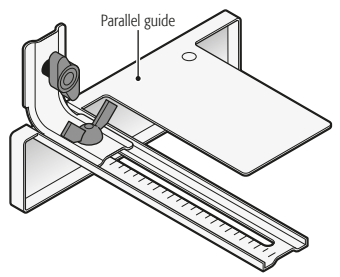
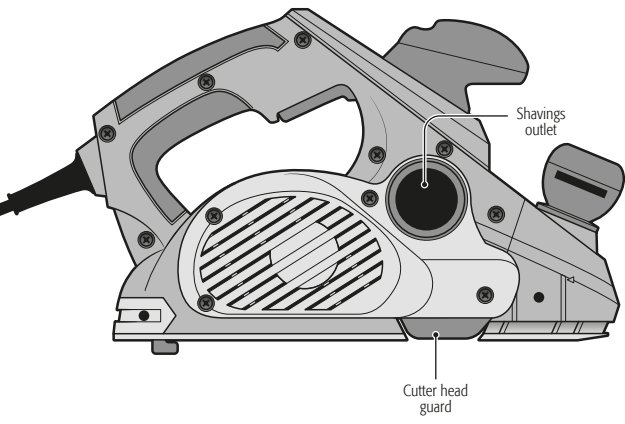
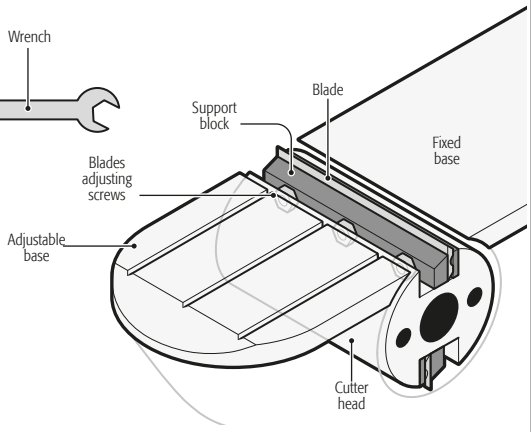
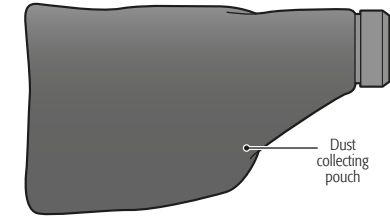
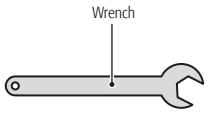
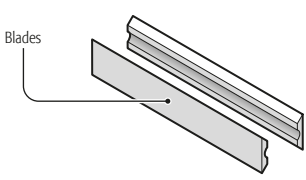
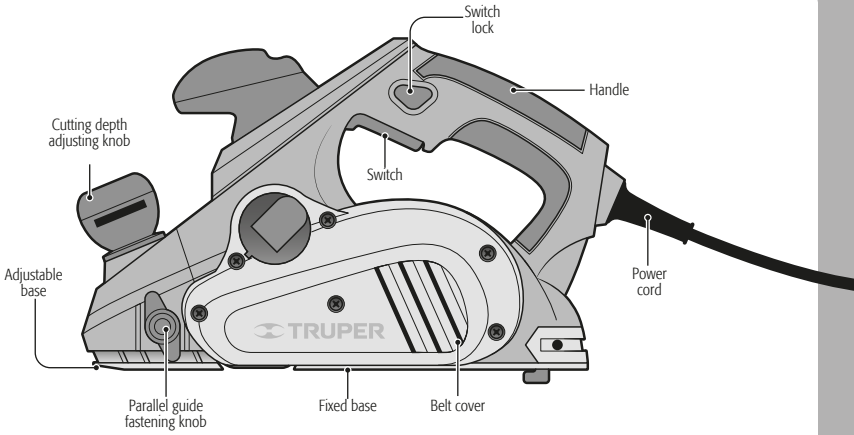
- Use a dust extraction system whenever possible.
- ⚠ CAUTION** • When operating the tool hold it by the handle and its insulated parts. In the event of making contact with hidden wiring, the tool's exposed metallic parts could send an electric shock to the operator.
- Firmly hold the tool with both hands.
- ⚠ DANGER** • Keep your hands away from rotating parts.
- ⚠ CAUTION** • Double-check the blades are not in contact with the work piece when turning on the tool.
- Before you start cutting wait for the blades to reach their maximum speed.
- Work the tool at least 8 inches away from your face and body.
- ⚠ CAUTION** • Never leave the tool running unattended. Handle the tool controlling it with both hands. Turn it off before leaving it aside.
- After long periods of functioning the metallic parts may be too hot.

After operating the tool

- When finishing the job with the tool turn it off and rest it with its base facing up and onto a wood block to prevent the blades to touch any surface.
- Before trying to make adjustments, turn off the tool and wait for the blades to come to a complete stop.
- ⚠ DANGER** • Never put your finger inside the shavings discharge orifice. To remove the excess, turn off and disconnect the tool. Use a stick to remove the shavings.
- When necessary replace both blades at the same time. Otherwise, the unbalance will cause vibrations and will shorten the useful life of the blades and tool. Handle blades with extreme care.



Right way to operate the planer



Assembly

TRUPER

Blades set up

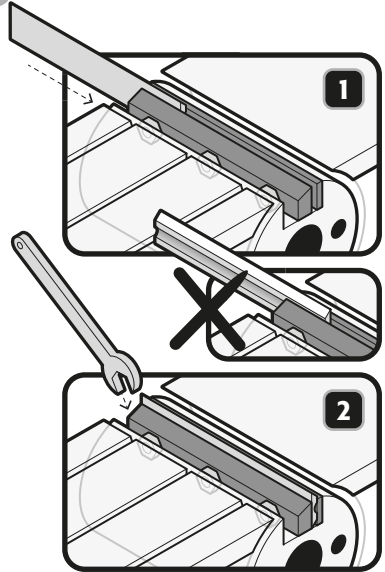
1. Slide the blade through the cutter head support block as shown in the figure. Ensure to place the blade with the smooth side facing the support block.
2. Tighten evenly the three fastening screws. Remember, a loose screw could be extremely dangerous. Verify regularly they are correctly fastened.
3. Repeat the operation with the other blade.
4. To remove the blades, loosen the screws and remove the blade.

CAUTION Before installing the blades turn off and disconnect the tool. Clean all the shavings or any debris from the cutter head. Use the clean blades of the same dimensions and same weight, otherwise the cutter head will oscillate and vibrate causing a deficient planing and a possible broken machine.

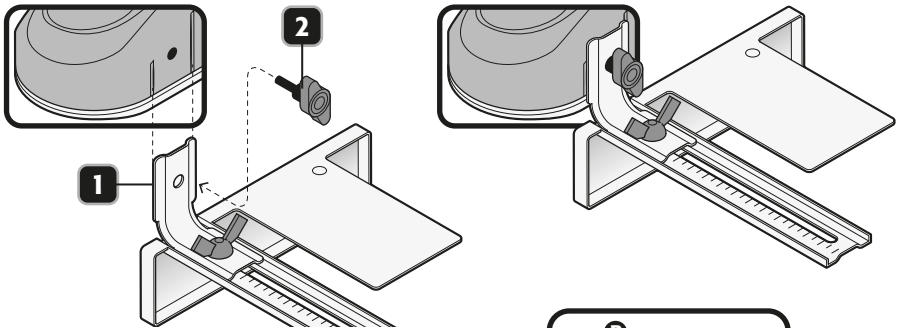
The blades are sharp on both sides. If one of its sides gets dull or worn, turn it around to use the other sharp side. When both sides are worn, replace the blades. Do not try to sharpen.

If you are about to replace the blades, replace both at the same time, otherwise vibrations will be produced and will shorten the useful life of both the blades and the tool.

CAUTION Use a piece of scrap wood to push the blades in and out from the support block.



Parallel guide set up



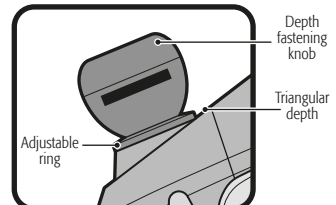
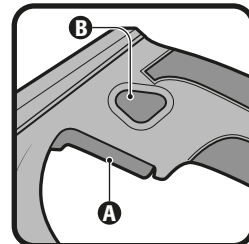
Start Up

Turning on and operation control

- Connect the plug to the power outlet.
- Keep the switch lock (B) pressed to un-block the switch (A). The switch lock prevents from accidental starting.
- Press switch (A) so the cutter head starts rotating.
- To stop the cutter head, release switch (A).

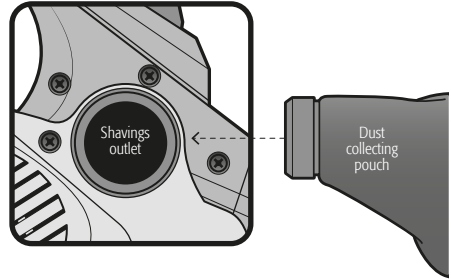
Cutting depth set up

- Rotate the cutting depth fastening knob to match the millimeter measurement indicated in the knob adjustable ring triangular mark. The adjustable base gets to the desired height.
- If you need to determine exactly the cutting depth, plan a piece of scrap wood, measure the difference in thickness and adjust values if necessary.



Shavings removal

- Press the shavings outlet dial. Make the arrow point towards the planer side you wish to expel the shavings.
- Set the dust-collecting pouch into the shavings outlet to dispose of shavings easier.
- You can also connect a workshop extraction system or a household vacuum cleaner into the shavings outlet. This will make the work environment safer and cleaner.

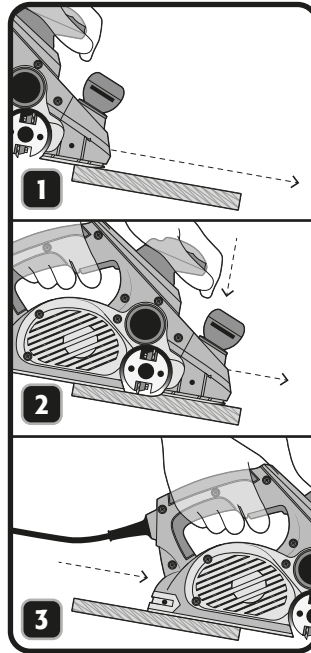


Planning

- Set the adjustable base onto the work piece surface. Do not make contact with the blades onto the work piece (1).
- Turn on the tool. Wait for the blades to reach their full speed.
- Hold the tool with both hands. Softly make it go forward applying pressure onto the depth-adjusting knob (2). Planning will be easier when the work piece is slightly tilted down to make the planer work downwards.
- Push the tool beyond the work piece edge. Do not tilt it down (3).
- Planning speed and cutting depth will establish the finish quality. To get a rough cut, increase the cutting depth. To get a fine finish, lower the cutting depth and slide the tool slower.

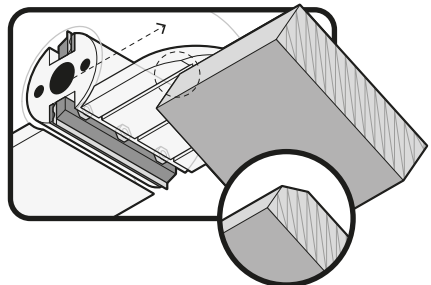
⚠ CAUTION Sliding the tool too fast will produce bad quality cuts and can damage the blades and the motor. If the movement is too slow the cut can get burnt or damaged. The right speed will depend of the type of material to cut and the planning depth. Before planning the work piece, make tests on a piece of scrap wood to gauge the right sliding speed and the cut measurements.

⚠ WARNING Fasten the work piece with brackets to prevent accidents and cutting defects.



Beveled Cuts

- To make chamfered or beveled cuts, make the corner of the work piece be even with one of the grooves in the adjustable base.
- Slide the planer aligning the groove through the corner edge.



⚠ WARNING Disconnect the plug from the outlet before making adjustments, service or maintenance to the tool.

Cleaning and care

- Keep the tool free of dust. Never use water or chemical cleaning substances to clean the tool. Wipe only with a clean and dry cloth.
- Always keep the air vents clean and free of any obstruction to guarantee the right cooling of the motor.
- Regularly inspect all the fitting screws and double-check they are properly tightened. In the event some of the screws are loose, tighten immediately.
- The casing and the motor are the heart of a power tool. Use extreme care to avoid oil or water spills.
- From time to time check the power cable to detect any type of damage. If the cable is damaged make it replaced in a **TRUPER** Authorized Service Center.

Belt replacement

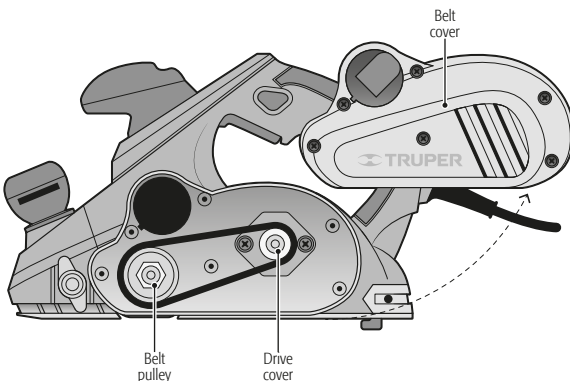
- The belt wears out due to normal use of the tool. It should be periodically replaced:
- Remove the safety screws adjusting the belt cover.
- Remove the worn belt and use a soft brush to clean the pulleys and the surrounding area.
- Set a new belt onto the drive pulley. Turn the belt pulley while pushing it inwards.
- Set the belt cover back and tighten the screws.


Service

- Service for the tools shall only be carried out in a **TRUPER** Authorized Service Center.
- Service and maintenance carried out by non-qualified people may be dangerous and could cause personal injury. It also makes the Warranty void.

Carbon replacement

- Carbons should be checked periodically. When worn take the tool to a **TRUPER** Authorized Service center to have them replaced.
- After replacement ask to see if the new carbons can move freely inside the carbon housing and to run the motor 5 minutes to even contact between carbons and commutator.
- Use only original **TRUPER** spare carbons specifically designed with the hardness and resistance adequate for each type of motor. Carbons that are out of specification could damage the motor.
- Both carbons should be changed simultaneously.



In the event of any problem contacting a Service Center, please see our webpage www.truper.com to get an updated list, or call our toll-free numbers 01 (800) 690-6990 or 01 (800) 018-7873 to get information about the nearest  **TRUPER** Authorized Service Center.

AGUASCALIENTES

671615 ZARAGOZA No. 1205, COL. EL SOL, AGUASCALIENTES, AGS. TEL.: 01 (449) 996-5978

BAJA CALIFORNIA SUR

670796 **CONTRURENTAS**
PROL. I. ZARAGOZA Y MÁRQUEZ DE LEÓN,
COL. 5 DE FEBRERO, SAN JOSÉ DEL CABO, BCS
TEL.: 01 (624) 142-4595

CHIHUAHUA

670032 **PROVIND**
AV. COLEGIO MILITAR No. 4307 A, COL. NOMBRE DE DIOS C.P. 31100, CHIHUAHUA, CHIH. TEL.: 01 (614) 424-4000

671530 **FERRETERÍA AMAYA S.A. DE C.V.**
AV. ORTIZ MENA No. 81, COL. CENTRO C.P. 33800
PARRAL, CHIH. TEL.: 01 (627) 522-2600

COAHUILA

670712 **INDUSTRIAL FERRETERA DE MONCLOVA, S.A. DE C.V.** BLVD. HAROLD R. PAPE No. 1000, COL. CENTRO C.P. 25700 MONCLOVA, COAH.
TEL.: 01 (866) 632-0174 FAX: 01 (866) 633-0719

COLIMA

671742 **SURTIDORA DE FERRETERÍA** AV. ANTONIO LEAÑO ÁLVAREZ No. 527 COL. PONCIANO ARRIAGA. TECOMÁN, TEL.: 01 (313) 324-2000 y 7666 FAX: 325-2700

CHIAPAS

671770 **TORNILLOS Y HERRAMIENTAS PINEDA 17**
PONIENTE No. 20-A, COL. CENTRO TAPACHULA, CHIAPAS
TEL.: 01 (962) 626-2807

671709 **FERRETERA MANDIOLA, S.A. DE C.V.** 5a NORTE PONIENTE No. 1615-B, COL. MOCTEZUMA, C.P. 29000, TUXTLA GUTIÉRREZ, TEL.: 01 (961) 602-1544

671747 **CENTRO DE SERVICIO DEL SURESTE**
LIBRAMIENTO SUR ORIENTE S/N Km 6.5
COL. TRABAJADORES, TUXTLA GUTIÉRREZ, CHIAPAS
TEL.: 01 (961) 223-2350

670515 **FERRETERÍA CASUA**
RAMÓN CORONA No. 72, COL. BARRIO SANTA LUCÍA C.P. 29250, SAN CRISTOBAL DE LAS CASAS, CHIS.
TEL.: 01 (967) 678-6283

671601 **MATERIALES DE CONSTRUCCIÓN DE LOS ALTOS, S.A. DE C.V.** FRANCISCO I. MADERO No.5, COL. CENTRO, C.P. 29200, SAN CRISTOBAL DE LAS CASAS, CHIS.

671730 **MATERIALES Y ACEROS BALAM S.A.**
PERIFERICO NORTE-PONIENTE No. 50 COL. BISMAR, SN. CRISTOBAL DE LAS CASAS TEL.: 01 (967) 678-6162 y 7422

670781 **PREFABRICADOS DE PALENQUE, S.A. DE C.V.**
KM. 1 CARRETERA PALENQUE - PAKAL-NA S/N ENTRADA LIENZO CHARRO C.P. 22960, PALENQUE, CHIS. TEL.: 01 (916) 345-1523 | 345-1533

D.F.

671829 **EL FUERTE DE LAS HERRAMIENTAS S.A. DE C.V.** PONIENTE 140 No.618 LOCAL B, COL. INDUSTRIAL VALLEJO, AZCAPOTZALCO, C.P. 02300 TELS.: 01 (55) 5587-7959 y 7731

670995 **EL MONSTRUO DE CORREGIDORA S.A. DE C.V.** CORREGIDORA No.22, COL. CENTRO C.P. 06060 MÉXICO, D.F. TEL.: 01 (55) 5522-4861 | 71 y 01 (55) 5522-5051, FAX: 01 (55) 5522-5021

671370 **ADMINISTRADORA FERRETERA, S.A. DE C.V.** CORREGIDORA No. 76-A, COL. CENTRO C.P. 06060 MÉXICO, D.F. TEL.: 01 (55) 5522-9976 FAX: 01 (55) 5522-9966

671131
CERRADA PINO SUAREZ No. 24, COL. ZONA ESCOLAR C.P. 07230, GUSTAVO A. MADERO, MÉXICO, D.F. TEL.: 01 (55) 2207-0882

671137 **INGENIERÍA SUMINISTROS Y SERVICIOS INDUSTRIALES** CALZADA DE GUADALUPE No.525-A, COL. ESTRELLA, C.P. 07810, GUSTAVO A. MADERO, MÉXICO, D.F. TEL. Y FAX: 01 (55) 5577-9331 | 5781-7079

DURANGO

670350 **TORNILLOS ÁGUILA, S.A. DE C.V.**
MASURIO No. 200 ESQUINA GALIO, COL. LUIS ECHEVERRÍA C.P. 34250, DURANGO, DGO.
TEL.: 01 (618) 817-1946 | 818-2655

671671
ENRIQUE CARROLA ANTUNA No. 406 COL. CIÉNEGA, DURANGO, DGO. TEL.: 01 (618) 825-2710

ESTADO DE MÉXICO

671600 **ABC DE MATERIALES, S.A. DE C.V.**
VENUSTIANO CARRANZA No. 104 COL. LOS ÁNGELES TOLTOCINGO, ACOLMAN, EDO. DE MÉXICO
TEL.: 01 (55) 2958-8504

671723 **FERRETERA TECAMAC S.A. DE C.V.**
CARR. MEXICO-PACHUCA Km 37.5 TECAMAC, EDO. DE MÉXICO. TEL.: 5934-6396 Y 5934-6271

671765 **TLPALERIA CRUZ**
AV. CUAUHTEMOC No. 3 COL. BO. SAN JOSÉ, TEQUIXQUIAC, TEL.: 591-91-203-44

671025 **SERVICIO Y VENTA DE HERRAMIENTAS VG**
AV. DE LOS MAESTROS No. 14, COL. LEANDRO VALLE C.P.54040, TLANEPANTLA DE BAZ, EDO. DE MÉXICO. TEL.: 01 (55) 2628-3120 Y FAX: 01 (55) 5398-2104

670050 **ABRASIVOS Y SOLDADURAS ESPECIALES DE TOLUCA** ISABEL LA CATÓLICA SUR No. 101 ESQ. MIGUEL HIDALGO COL. STA. CLARA C.P. 50090, TOLUCA, EDO. DE MÉXICO, TEL.: 01 (722) 773-1117 | 773-1116 | 214-9458, FAX: 01 (722) 215-2145

670514
AV. TEXCOCO No. 354, COL. METROPOLITANA 2A SECCIÓN C.P. 57740, CD. NEZAHUALCOYOTL, EDO. DE MÉXICO, TEL.: 01 (55) 5792-4458

GUANAJUATO

670150 **COMPAÑÍA FERRETERA NUEVO MUNDO S.A. DE C.V.** AV. MÉXICO - JAPÓN No. 225, CD. INDUSTRIAL C.P. 38010, CELAYA, GTO. TEL. Y FAX: 01 (461) 617-7578 | 617-7579 | 617-7580 | 617-7588

670261 **PROVEEDORES DE HERRAMIENTAS**
SINALOA No. 39 COL. MIGUEL HIDALGO IRAPUATO, GTO. TELS.: 01 (462) 626-3813, 124-8806 FAX: 01 (462) 623-0523

671492 **HERRAMIENTAS Y SERVICIOS DE LEÓN S. DE R.L.** DE C.V. LÓPEZ MATEOS ORIENTE No. 230, COL. CENTRO C.P. 37000 LEÓN, GTO. TEL./FAX 01 (477) 714-6514

671290 **EL GRINGO** LIBRAMIENTO SUR No. 609, COL. DEL SOL C.P. 37900 SAN LUIS DE LA PAZ, GTO. TEL. Y FAX: 01 (468) 688-4886

GUERRERO

670926 **DISTRIBUIDORA RAGASA, S.A. DE C.V.**
AV. LÁZARO CÁRDENAS No. 908, COL. CENTRO C.P. 40660 CD. ALTAMIRANO, GRO. TEL.: 01 (767) 672-0843

671637
LAS PALMERAS No. 48 COL. CENTRO, COYUCA DE BENITEZ, GRO. TEL.: 01 (781) 452-0815

671677
MARIANO ABASOLO S/N COL. OMETEPEC CENTRO, OMETEPEC, GRO. TEL.: 01 (741) 412-1339

HIDALGO

670915 **MUNDO TOOL MÉXICO, S.A. DE C.V.** ALLENDE No. 320, COL. CENTRO C.P. 42000, PACHUCA, HGO. TEL. Y FAX: 01 (771) 715-0048

670640 **SAN ANTONIO MATERIALES PARA CONSTRUCCIÓN** CARR. MEXICO-PACHUCA km 81.5 COL. SAN ANTONIO EL DESMONTE, TEL.: 01 (771) 711-0732

670655 **FERPRECIOS, S.A. DE C.V.** LIBERTAD No. 304 LOCAL 30, INTERIOR DE PASAJE ROBLEDO, COL. CENTRO, TULANCINGO, TEL. 01 (775) 753-6615 y 16

JALISCO 670855 **MAGNOCENTRO FERRETERO, S.A. DE C.V.**
AV. LA PAZ No.1180, COL. CENTRO, GUADALAJARA, JAL.
TEL.: 01(33) 3658-1867 y 59
FAX: 01(33) 3658-1870

670770 **ACEROS Y MATERIALES DIAZ S.A. DE C.V.** AV.
FRANCISCO ZARCO No. 755, COL. FLORIDA C.P. 47800,
OCOTLAN, JAL. TEL.: 01(592) 922-4740 | 922-0177

MICHOACÁN 671757 **EQUIPOS Y HERRAMIENTAS PROFESIONALES**
JOSÉ MANUEL DE HERRERA No. 149, COL. CENTRO,
APATZINGÁN, TEL. 01(453) 534-2204

671766 **SERVICIOS Y HERRAMIENTAS DEL SUR**
AV. 22 DE OCTUBRE No. 303 COL. MIGUEL HIDALGO,
APATZINGÁN, TEL. 01(453) 534-2033

671830 **MOTOSIERRAS Y SERVICIOS DE MORELIA**
MORELOS NORTE No. 821 COL. CENTRO, MORELIA, C.P.
58000 TEL.: 01(443) 317-9482

670336 **FERREMAQUINARIA INDUSTRIAL S.A. DE C.V.**
AV. LÁZARO CÁRDENAS No. 241, COL. CENTRO C.P.
60950, CD. LÁZARO CÁRDENAS, MICH.
TEL.: 01(753) 532-0738 | 532-4396 | 532-2541 FAX:
01(753) 532-5366

670872 **MATERIALES GARCÍA Y BARRAGÁN S.A. DE C.V.**
IGNACIO ZARAGOZA No. 187 B, COL. CENTRO,
C.P. 61650, TACÁMBARO, MICH. TEL.: 01(459) 596-0190,
FAX: 01(459) 596-0700

671130 **HERRAMIENTAS Y SERVICIOS FORESTALES DE ZAMORA**
AV. JUÁREZ No. 213 OTE. ENTRE 5 DE MAYO
Y AQUILES SERDAN, COL. CENTRO C.P. 59600,
ZAMORA, MICH. TEL.: 01(351) 517-8420

670805 **LA NUEVA FERRETERÍA TRUPER**
GENERAL PUEBLITA No. 356, COL. CENTRO C.P. 58600,
ZACAPU, MICH. TEL.: 01(436) 363-3351

671115 **HERRAMIENTAS Y SERVICIOS INDUSTRIALES DE ZITACUARO**
NETZAHUALCOYOTL NORTE No. 6, COL.
MOCTEZUMA C.P. 61505, ZITACUARO, MICH.
TEL.: 01(715) 151-3228

671664
AVENIDA FRANCISCO VILLA No. 31 COL. MORELOS,
URUAPAN, MICH. TEL.: 01(452) 528-9536

MORELOS 671877 **FERRETERIA DURAMAX** km 100 CARR.
MEXICO-ACAPULCO, COL. ALPUYECA, C.P. 62797
TEL.: 01(777) 678-9069 TEL. / FAX: 01(777) 678-7956

OAXACA 671625 **MARTÍNEZ BARRANO, S.A. DE C.V.** AV. LA
PAZ No. 721 COL. CALIFORNIA, OAXACA TEL.: 01(951)
133-1521

671712 **MUNDO MAKITA** SÍMBOLOS PATRIOS No. 101,
COL. ELISEO JIMÉNEZ RUÍZ, OAXACA, OAX

671782 **MIFERRE**
CARR. COSTERA DEL PACÍFICO No. 300, COL. LOS
MANGALES, PUERTO ESCONDIDO TEL.: 01(954) 582-4218

671794 **AGROBOMBAS ROSARIOS S.A.** AV.
INDEPENDENCIA No. 1323 COL. LA PIRAGUA, TUXTEPEC
C.P. 68300 TEL.: 01(287) 875-1365

PUEBLA 671420 **DISTRIBUIDORA DE HERRAMIENTAS MANUALES ZAVALETA, S.A. DE C.V.**
RIVERA ATOYAC No. 325, COL. SANTA CRUZ BUENA VISTA,
C.P. 72810, SAN ANDRÉS CHOLULA, PUE. TEL. / FAX:
01(222) 249-8592

671211 **SERVITEC**
AV. DE LA JUVENTUD No. 1103 ESQ. 7 SUR, COL. NICÓLAS
BRAVO C.P. 75790, TEHUACÁN, PUE. TEL. / FAX: 01(238)
371-7200

671822 **TIENDA FIX TEHUACÁN**
AV. SEGUNDA DE MORELOS No. 303, COL. CENTRO,
TEHUACÁN, TEL.: 01(238) 384-8640

QUERÉTARO 670402 **MOTORES Y HERRAMIENTAS ELÉCTRICAS**
AV. 6 No. 1004-B ESQ. CALLE 19, COL. LOMAS DE CASA
BLANCA C.P. 76080, QUERÉTARO, QRO.
TEL. Y FAX : 01(442) 167-4733

671265 **FERRETERA PRADO HERRAMIENTAS S.A. DE C.V.**
AV. UNIVERSIDAD No. 325-A, COL. GRANJAS
MANTHI C.P. 76808, SAN JUAN DEL RÍO, QRO.
TEL. / FAX : 01(427) 268-4544

QUINTANA ROO 670046 **CENTRO FERRETERO DE CANCÚN**
AV. COMACALCO No. 12, COL. SUPERMANZANA 59 C.P.
77515, CANCÚN, Q. ROO.
TEL.: 01(998) 886-8777 | 887-6616

671011
ÁLVARO OBREGÓN No. 281-283 COL. CENTRO,
CHETUMAL, QUINTANA ROO TEL.: 01(983) 833-2358

671732 **MULTISIERRAS TALICUMI** AVENIDA MIGUEL
HIDALGO No.221 COL. VENUSTIANO CARRANZA,
CHETUMAL.

SAN LUIS POTOSÍ 671636 **95/24 MÉXICO, S.A. DE C.V.** SUC. SLP
AV. UNIVERSIDAD No. 1850 COL. EL PASEO, SAN LUIS
POTOSÍ C.P. 78320 TEL. / FAX: 01(444) 822-4341

SINALOA 671642
JACARANDAS S/N COL. DEL BOSQUE, GUASAVE, SIN.
TEL.: 01(687) 871-2636

SONORA 671045 **FERRETERÍA LA ÚNICA**
LÁZARO MERCADO No. 1234 COL. MUNICIPIO LIBRE C.P.
85080 CD. OBREGÓN, SON. TEL. / FAX: 01(644) 412-9836

TABASCO 671610 **GRUPO VAQUEIRO FERRETERO, S.A. DE C.V.**
PERIFÉRICO CARLOS PELLICER CÁMARA No. 2810 COL.
MIGUEL HIDALGO, VILLAHERMOSA, C.P. 86250 TEL. /
FAX: 01(993) 116-1901 y 41 EXT. 106

671432 **MERCADO DE LA SOLDADURA DEL SURESTE, S.A. DE C.V.** BLVD. ADOLFO RUÍZ CORTÍNEZ 2001-B,
COL. ATATA, VILLAHERMOSA, C.P. 86100 TEL.: 01(935)
161-4820 | 161-4479

TAMAULIPAS 671480 **CONSTRURAMA GÁLVEZ**
REVOLUCIÓN No. 1002, COL. BUENA VISTA C.P. 88120
NVO. LAREDO, TAM. TEL. / FAX: 01(867) 710-3100

671755 **FERRETERÍA ZANELLA**
AV. TAMAULIPAS No. 713 COL. REVOLUCIÓN VERDE,
TAMPICO, TEL.: 01(835) 306-6537

TLAXCALA 671684 **SERVICIO JUNIOR**
CALLE 2 DE ABRIL PONIENTE No. 506, COL. CENTRO,
APIZACO, TEL. 01(241) 112-0996

VERACRUZ 671435 **METALURVE, S.A. DE C.V.** CALLE 18 No. 2117,
FRACC. LOMAS C.P. 94570 CÓRDOBA, VER. TEL.: 01(271)
714-8584

671635 **LA CASA DISTR. TRUPER**
SUC. AV. YUCATÁN No. 137-A, COL. YUCATÁN C.P. 93600
MARTÍNEZ DE LA TORRE, VER. TEL.: 01(232) 373-5420

671478 **TALLER ELÉCTRICO MATHÉY**
ATENAS No. 71, COL. NUEVA MINA C.P. 96760
MINATITLAN, VER. TEL. / FAX : 01(922) 223-5601

671605
HUMBOLT SUR No. 49, COL. CENTRO C.P. 91270 PEROTE,
VER. TEL.: 01(282) 832-0327 | 825-6408

670397 **LA CASA DISTRIBUIDORA TRUPER** CALLE
URUGUAY No. 713, COL. 27 DE SEPTIEMBRE C.P. 93320,
POZA RICA, VER. TEL. / FAX: 01(782) 823-8100 | 826-8484

671535 **DISTRIBUIDORA SANVER S.A. DE C.V.**
CARRETERA NAL. TUXPAN-TAMPICO Km 64, COL. LA
MORITA, TANTOYUCA, C.P. 92101 TEL. 01(789) 893-5030

671451 **MAYORISTAS JAGUAR S.A. DE C.V.** AV.
IGNACIO ALLENDE No. 2377 COL. CENTRO, VERACRUZ,
TEL.: 01(229) 931-1891

671781 **MATERIALES Y ACEROS TUCÁN S.A. DE C.V.**
PROL. AV. MIGUEL ALEMÁN No. 3800 COL. ARTÍCULO
123, VERACRUZ, TEL.: 01(229) 923-0070

671452 **COMERCIALIZADORA FERRESMAR** CAYETANO
RIVERA No. 47 COL. DEL MAESTRO, VERACRUZ, TEL.
01(229) 922-7948
TEL. / FAX: 01(229) 927-1771

SUCURSAL TIJUANA

BLVD. INSURGENTES No. 6101 ENTRE BLVD.
MANUEL CLOUTIER Y PASEO GUAYCURA, FRACC.
GUAYCURA, DELEGACIÓN CERRO COLORADO,
(ANTES LA PRESA) C.P. 22216, TIJUANA, B.C.
CONMUTADOR: 01(664) 969-5100

SUCURSAL CULIACÁN

LIBRAMIENTO BENITO JUÁREZ No. 5599 B4,
EJIDO DE LAS FLORES (LA COSTERITA), C.P.
80296, CULIACÁN, SINALOA
CONMUTADOR: 01(667) 760-5747

SUCURSAL VILLAHERMOSA

CALLE HELIO LOTES 1, 2 Y 3 MZNA. No. 1, COL.
INDUSTRIAL, 2A ETAPA C.P. 86010,
VILLAHERMOSA, TAB.
CONMUTADOR : 01(993) 353-7244

SUCURSAL GUADALAJARA

AV. DEL BOSQUE No. 1243, FRACC. INDUSTRIAL
EL BOSQUE II ENTRE PERIFÉRICO SUR Y CALLE
INCALPA C.P. 45590, TLAQUEPAQUE, JAL.
CONMUTADOR: 01(33) 3606-5290

SUCURSAL MÉRIDA

CALLE 33 No. 600 y 602 LOCALIDAD ITZINCAB Y
MULSAY, MUNICIPIO UMAN, YUCATÁN, C.P. 97390
MÉRIDA, YUC. CONMUTADOR: 01(999) 912-2451

SUCURSAL MONTERREY

AV. STIVA No. 275, PARQUE INDUSTRIAL STIVA
BARRAGÁN, SAN NICOLAS DE LOS GARZAS,
C.P. 66420, MONTERREY, N.L.
TELS.: 01(81) 8352-8791 y 8790

SUCURSAL PUEBLA

DEFENSORES DE LA REPÚBLICA No. 1118, ENTRE
CALLE TECNOLÓGICO Y AVENIDA 18 DE
NOVIEMBRE, COL. FAUNA MARINA, PUEBLA,
PUEBLA, C.P. 72260
CONMUTADOR: 01(222) 282-8282

SUCURSAL LAGUNA

CALLE METAL MECÁNICA No. 280, PARQUE
INDUSTRIAL ORIENTE, TORREÓN, COAHUILA, C.P.
27278
CONMUTADOR: 01(871) 209-6823

SUCURSAL CENTRO FORÁNEO

AV. PARQUE INDUSTRIAL No. 1-A, JILOTEPEC C.P.
54240 ESTADO DE MÉXICO
CONMUTADOR: 01(761) 782-9101 EXT. 5728 y
5102

SUCURSAL CENTRO

CALLE D No. 31-A, COL. MODELO DE ECHEGARAY
C.P. 53330, NAUCALPAN, EDO. DE MÉXICO
TEL.: 01(55) 5371-3500

TRUPER, S.A. de C.V.

Parque Industrial No.1, Jilotepec, C.P. 54240, Estado de México, México
TEL. 01(761) 782 91 00, FAX 01(761) 782 91 70, (TIN) R.F.C.: THE-791105-HP2

www.truper.com

ESPAÑOL
ENGLISH

 **TRUPER®**

Instructivo de

Cepillo eléctrico

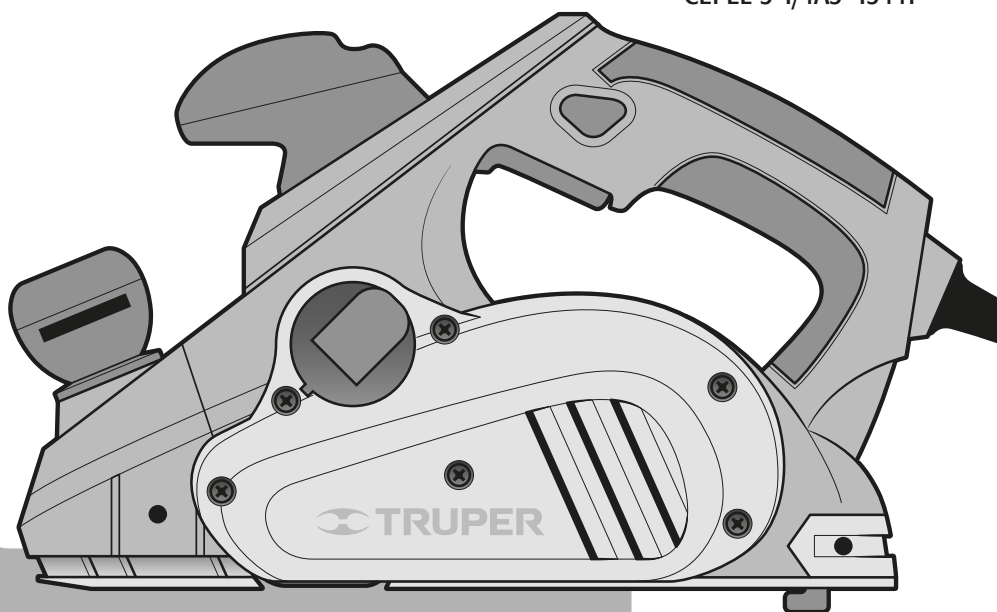
850 W

Potencia

Este Instructivo es para:

Modelo **Código**

CEPEL-3-1/4A3 13441



CEPEL-3-1/4A3

 **ATENCIÓN**

Lea este Instructivo por completo
antes de usar la herramienta.



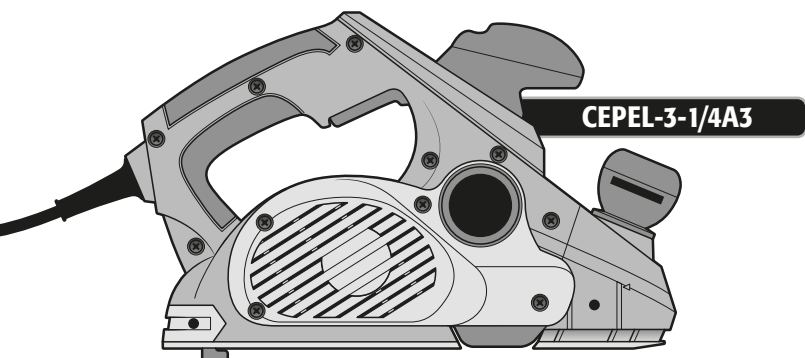
Especificaciones técnicas	3
Requerimientos eléctricos	3
 Advertencias generales de seguridad para herramientas eléctricas	4
 Advertencias de Seguridad para uso de cepillos eléctricos	5
Partes	6
Ensamble	7
Puesta en marcha	7
Mantenimiento	9
Centros de Servicio Autorizados	10
Sucursales	12
Póliza de Garantía	12

 ATENCIÓN

Para poder sacar el máximo provecho de la herramienta, alargar su vida útil, hacer válida la garantía en caso de ser necesario y evitar riesgos o lesiones graves, es fundamental leer este Instructivo por completo antes de usar la herramienta.

Guarde este Instructivo para futuras referencias.

Los gráficos de este Instructivo son para referencia, pueden variar del aspecto real de la herramienta.



CEPEL-3-1/4A3

Código	•	13441
Descripción	•	Cepillo eléctrico
Tensión	•	120 V~
Frecuencia	•	60 Hz
Corriente	•	7 A
Potencia	•	850 W
Velocidad	•	16 000 r/min
Ciclo de trabajo	•	30 min de trabajo por 15 min de descanso. Máximo 3 horas diarias.
Conductores	•	16 AWG x 2C con temperatura de aislamiento de 105 °C
Aislamiento	Clase II	Grado IP • IP20

El cable de alimentación tiene sujeta-cables tipo: Y
 La clase de construcción de la herramienta es: Aislamiento reforzado.
 La clase de aislamiento térmico de los devanados del motor: Clase E

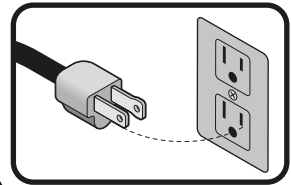
⚠ ADVERTENCIA Si el cable de alimentación se daña, éste debe ser reemplazado por el fabricante o Centro de Servicio Autorizado con el fin de evitar algún riesgo de descarga o accidente considerable. La construcción del aislamiento eléctrico de esta herramienta es alterado por salpicaduras o derramamiento de líquidos durante su operación. No la exponga a la lluvia, líquidos y/o humedad.



⚠ ADVERTENCIA Antes de obtener acceso a las terminales, todos los circuitos de alimentación deben ser desconectados.

Requerimientos eléctricos

⚠ ADVERTENCIA Las herramientas de doble aislamiento están equipadas con una clavija polarizada (una pata es más ancha que la otra). Esta clavija cabe en cualquier enchufe polarizado y sólo puede conectarse de una forma. Si la clavija no cabe en el enchufe, voltéelo. Si aún así no cabe, póngase en contacto con un electricista calificado o instale un enchufe polarizado. No altere la clavija en forma alguna. El doble aislamiento elimina la necesidad de un cable de corriente de tres partes con conexión a tierra o de un sistema de corriente eléctrica con conexión a tierra.



⚠ ADVERTENCIA Al usar un cable de extensión, asegúrese de usar el calibre suficiente para transportar la corriente que consumirá su herramienta. Un cable de un calibre inferior ocasionará caídas de tensión en la línea, teniendo como resultado pérdida de potencia y sobrecalentamiento del motor. La siguiente tabla muestra el tamaño correcto que debe usarse dependiendo de la longitud del cable y de la capacidad de amperes indicada en la placa de datos de la herramienta. Si tiene dudas use el siguiente calibre más alto.

Capacidad en Amperes	Número de conductores	Calibre de extensión	
		de 1,8 m a 15 m	mayor de 15 m
de 0 A hasta 10 A	3 (uno a tierra)	18 AWG(*)	16 AWG
de 10 A hasta 13 A		16 AWG	14 AWG
de 13 A hasta 15 A		14 AWG	12 AWG
de 15 A hasta 20 A		8 AWG	6 AWG

* Se permite utilizarlo siempre y cuando las extensiones mismas cuenten con un artefacto de protección contra sobrecorriente.
 AWG = Calibre de alambre estadounidense (American Wire Gauge). Referencia: NMX-J-195-ANCE-2006

⚠ ADVERTENCIA Al operar herramientas eléctricas en exteriores, utilice una extensión aterrizada marcada como "Uso exterior" marca . Estas extensiones son especiales para el uso en exteriores y reducen el riesgo de sufrir una descarga eléctrica.



¡ADVERTENCIA! Lea detenidamente todas las advertencias de seguridad y todas las instrucciones que se enlistan a continuación. La omisión de alguna de ellas puede dar como resultado un choque eléctrico, incendio y/o daño serio. **Conserve las advertencias y las instrucciones para futuras referencias.**

Área de trabajo

Mantenga el área de trabajo limpia y bien iluminada.

Las áreas desordenadas y oscuras son propensas a accidentes.



No maneje la herramienta en ambientes explosivos, como en presencia de líquido, gas o polvo inflamables.

Las herramientas eléctricas producen chispas que pueden encender material inflamable.



Mantenga alejados a los niños y curiosos cuando opere la herramienta.

Las distracciones pueden hacer que pierda el control.



Seguridad eléctrica

La clavija de la herramienta debe coincidir con el tomacorriente. Nunca modifique una clavija. No use ningún tipo de adaptador para clavijas de herramientas puestas a tierra.

Clavijas modificadas y enchufes diferentes aumentan el riesgo de choque eléctrico.



Evite el contacto del cuerpo con superficies puestas a tierra como tuberías, radiadores, cocinas eléctricas y refrigeradores.

Hay un mayor riesgo de choque eléctrico si el cuerpo está puesto a tierra.

No exponga la herramienta a la lluvia o condiciones de humedad.

El agua que ingresa en la herramienta aumenta el riesgo de choque eléctrico.

No fuerce el cable. Nunca use el cable para transportar, levantar o desconectar la herramienta. Mantenga el cable lejos del calor, aceite, orillas afiladas o piezas en movimiento.

Los cables dañados o enredados aumentan el riesgo de choque eléctrico.

Cuando maneje una herramienta en exteriores, use una extensión especial para uso en exteriores.

El uso de una extensión adecuada para exteriores reduce el riesgo de choque eléctrico.

Si el uso de la herramienta en un lugar húmedo es inevitable, use una alimentación protegida por un interruptor de circuito de falla a tierra (GFCI).

El uso de un GFCI reduce el riesgo de choque eléctrico.

Seguridad personal

Esté alerta, vigile lo que está haciendo y use el sentido común cuando maneje una herramienta. No la use si está cansado o bajo la influencia de drogas, alcohol o medicamentos.

Un momento de distracción mientras maneja la herramienta puede causar daño personal.

Use equipo de seguridad. Use siempre protección para los ojos.

El uso de equipo de seguridad como lentes de seguridad, mascarilla antipolvo, zapatos antideslizantes, casco y protección para los oídos en condiciones apropiadas, reduce de manera significativa los daños personales.



Evite arranques accidentales. Asegúrese de que el interruptor está en posición "apagado" antes de conectar a la fuente de alimentación y/o a la batería o transportar la herramienta.

Transportar herramientas eléctricas con el dedo sobre el interruptor o conectar herramientas eléctricas que tienen el interruptor en posición de "encendido" puede causar accidentes.

Retire cualquier llave o herramienta de ajuste antes de encender la herramienta eléctrica.

Las llaves o herramientas que quedan en las partes rotativas de la herramienta pueden causar un daño personal.

No sobrepase su campo de acción. Mantenga ambos pies bien asentados sobre el suelo y conserve el equilibrio en todo momento.

Esto permite un mejor control de la herramienta en situaciones inesperadas.

Vista adecuadamente. No vista ropa suelta o joyas. Mantenga su cabello, su ropa y guantes alejados de las piezas en movimiento.

La ropa, el cabello sueltos o las joyas pueden quedar atrapados en las piezas en movimiento.



En caso de contar con dispositivos de extracción y recolección de polvo conectados a la herramienta, verifique sus conexiones y úselos correctamente.

El uso de estos dispositivos reduce los riesgos relacionados con el polvo.

Uso y cuidados de la herramienta

No fuerce la herramienta. Use la herramienta adecuada para el trabajo a realizar.

La herramienta adecuada hace un trabajo mejor y más seguro cuando se usa al ritmo para el que fue diseñado.



No use la herramienta si el interruptor no funciona.

Cualquier herramienta eléctrica que no pueda encenderse o apagarse es peligrosa y debe repararse antes de ser operada.

Desconecte la herramienta de la fuente de alimentación y/o de la batería antes de efectuar cualquier ajuste, cambiar accesorios o almacenarla.

Estas medidas reducen el riesgo de arrancar la herramienta accidentalmente.

Almacene las herramientas fuera del alcance de los niños y no permita su manejo por personas no familiarizadas con las herramientas o con las instrucciones.

Las herramientas eléctricas son peligrosas en manos no entrenadas.



Déle mantenimiento a la herramienta. Compruebe que las partes móviles no estén desalineadas o trabadas, que no haya piezas rotas u otras condiciones que puedan afectar su operación. Repare cualquier daño antes de usar la herramienta.

Muchos accidentes son causados por el escaso mantenimiento de las herramientas.

Mantenga los accesorios de corte afilados y limpios.

Los accesorios de corte en buenas condiciones son menos probables de trabarse y más fáciles de controlar.

Use la herramienta, sus componentes y accesorios de acuerdo con estas instrucciones y de la manera prevista para el tipo de herramienta, en condiciones de trabajo adecuadas.

El uso de la herramienta para aplicaciones diferentes para las que está diseñada podría causar una situación de peligro.

Servicio

Repare la herramienta en un Centro de Servicio Autorizado TRUPER usando sólo piezas de repuesto idénticas.

Para mantener la seguridad de la herramienta.

Antes de operar la herramienta

- Desenrolle por completo el cable de extensión para evitar un sobrecalentamiento potencial.
- Asegúrese de que la tensión de la toma de corriente sea igual a la tensión nominal descrita en la placa de su herramienta.



⚠ ATENCIÓN • Retire del lugar de trabajo trapos, ropa, cables, cuerdas, o cualquier cosa que pueda ser atrapada por las cuchillas de la herramienta.

⚠ ADVERTENCIA • Retire clavos, tornillos o cualquier objeto de la pieza de trabajo. Estos dañarían las cuchillas y la herramienta. Además, podrían representar un peligro para su seguridad.

⚠ ATENCIÓN • Antes de iniciar cualquier trabajo, asegúrese de que los tornillos de instalación de las cuchillas estén bien apretados.

• Antes de operar la herramienta enciéndala y deje que funcione unos momentos. Vea si hay vibraciones que indiquen una mala instalación o una cuchilla mal balanceada.

Mientras opera la herramienta

• Siempre que sea posible, use un sistema de extractor de polvo.

⚠ ATENCIÓN • Al operar la herramienta sosténgala solamente por el mango y sus partes aisladas. En caso de hacer contacto con un cable oculto las partes metálicas expuestas de la herramienta podrían dar una descarga al operador.

• Sujete la herramienta firmemente, con las dos manos.

⚠ PELIGRO • Mantenga las manos lejos de las piezas giratorias.

⚠ ATENCIÓN • Asegúrese de que las cuchillas no estén en contacto con la pieza de trabajo al encender la máquina.

• Antes de cortar, espere a que las cuchillas alcancen su máxima velocidad.

• Maneje la herramienta por lo menos a 20 cm (8 pulgadas) de distancia de su rostro y cuerpo.

⚠ ATENCIÓN • Nunca deje la herramienta encendida sin supervisión. Manéjela sólo cuando la controle con ambas manos y apáguela antes de soltarla.

• Después de periodos prolongados de funcionamiento, las partes metálicas pueden estar muy calientes.

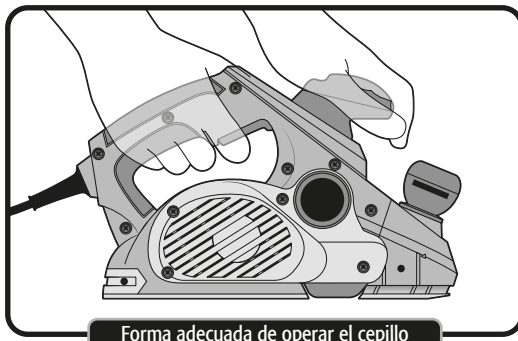
Después de operar la herramienta

• Cuando termine de operar la herramienta, apáguela y déjela con la base hacia arriba sobre un bloque de madera, de modo que las cuchillas no estén en contacto con nada.

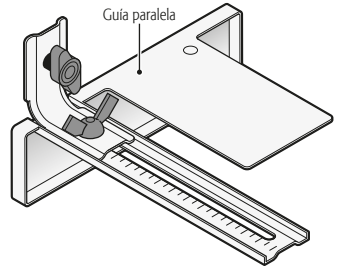
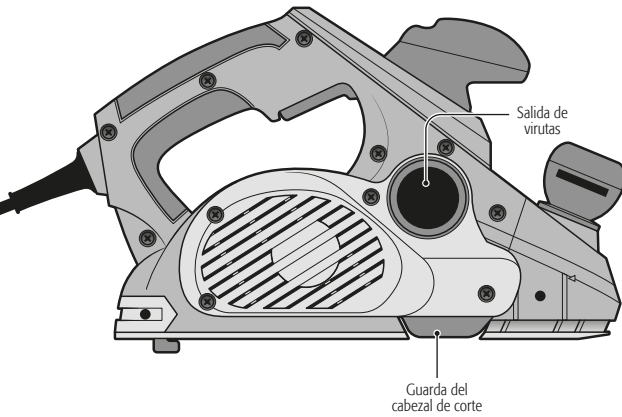
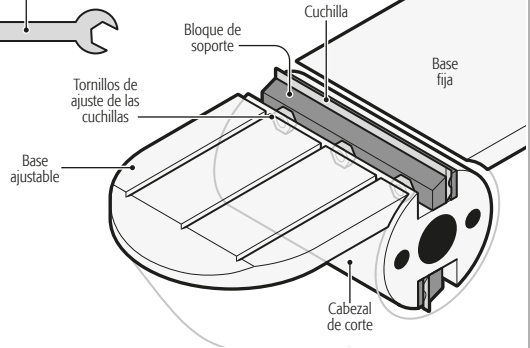
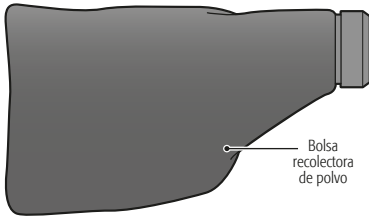
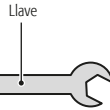
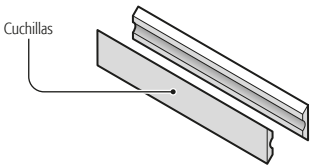
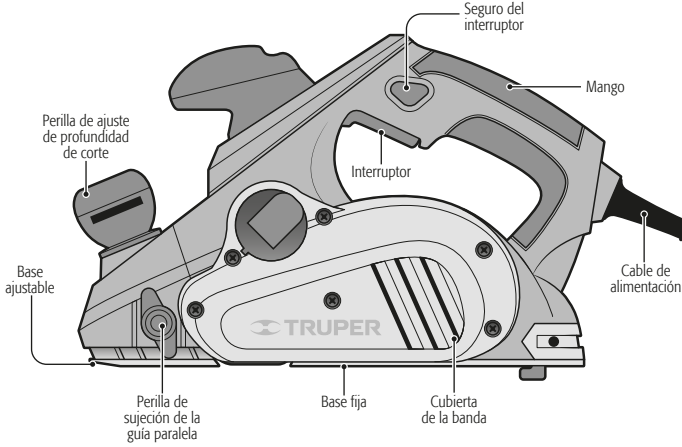
• Antes de intentar cualquier ajuste, apague la herramienta y espere a que las cuchillas se detengan por completo.

⚠ PELIGRO • Nunca meta el dedo en el orificio de descarga de virutas. Para quitar el exceso apague y desconecte la herramienta, utilice un palo para quitar las virutas.

• Cuando sea necesario cambie las dos cuchillas al mismo tiempo. De lo contrario, el desequilibrio resultante causará vibraciones y acortaría la vida útil de las cuchillas y de la herramienta. Maneje las cuchillas con mucho cuidado.



Forma adecuada de operar el cepillo



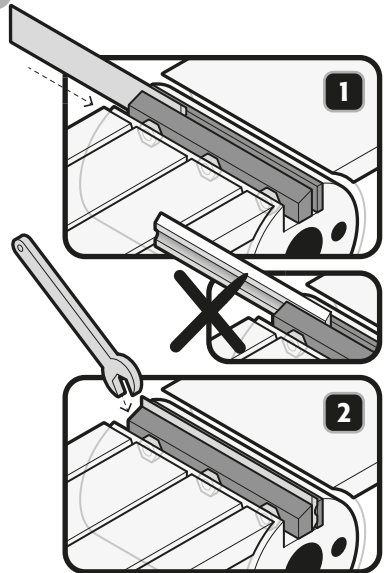
Instalación de las cuchillas

1. Deslice la cuchilla a través del bloque de soporte de la cabeza de corte como se indica en la figura. Asegúrese de colocar la cuchilla con el costado liso orientado hacia el bloque de soporte.
2. Apriete uniformemente los tres tornillos de ajuste. Recuerde que un tornillo flojo podría ser extremadamente peligroso, verifique regularmente para ver si están apretados correctamente.
3. Repita la operación con la otra cuchilla.
4. Para retirar las cuchillas afloje los tornillos y retire la cuchilla.

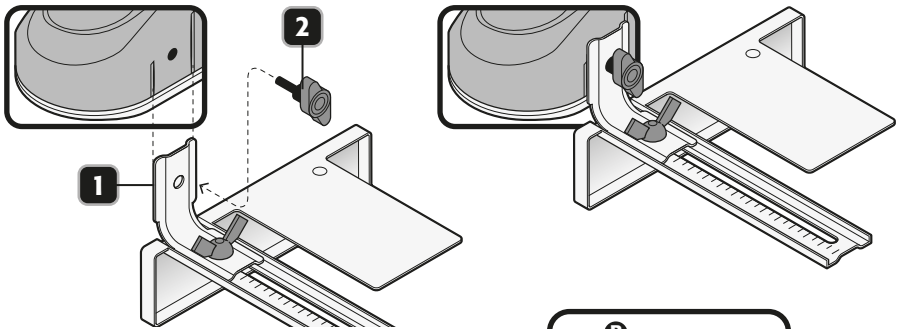
⚠ ATENCIÓN Antes de instalar las cuchillas apague y desconecte la herramienta, limpie las virutas o cualquier materia extraña de la cabeza de corte. Utilice cuchillas limpias de las mismas dimensiones y el mismo peso o la cabeza de corte oscilará y vibrará, causando un cepillado deficiente y quizá una rotura de la máquina.

Las cuchillas tienen filo por ambos lados, si pierde filo o se desgasta uno de los lados gírela para utilizar el lado afilado. Cuando ambos lados estén desgastados reemplace la cuchilla, no intente afilarlas. Si va a reemplazar las cuchillas, reemplace las dos al mismo tiempo; de lo contrario se pueden producir vibraciones que acortarán la vida útil de las cuchillas y la herramienta.

⚠ ATENCIÓN Utilice una pieza de madera de desecho para empujar las cuchillas dentro y fuera del bloque de soporte.



Instalación de la guía paralela



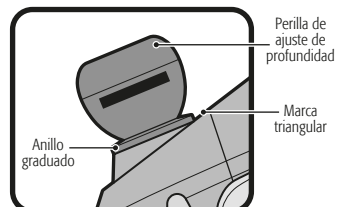
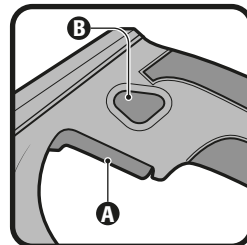
Puesta en marcha

Encendido y control de operación

- Conecte la clavija al tomacorriente.
- Mantenga presionado el seguro del interruptor (B) para desbloquear el interruptor (A). El seguro del interruptor evita encendidos accidentales.
- Presione el interruptor (A) para que la cabeza de corte comience a girar.
- Para detener la cabeza de corte suelte el interruptor (A).

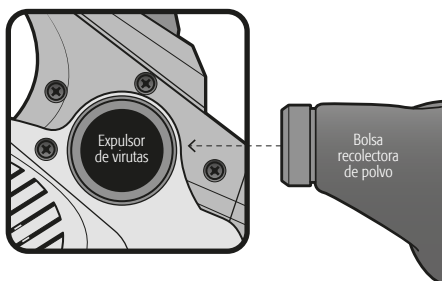
Ajuste de profundidad de corte

- Gire la perilla de ajuste de profundidad de corte y haga coincidir la medida en milímetros indicada en el anillo graduado de la perilla con la marca triangular para que la base ajustable quede a la altura deseada.
- Si es necesario determinar con exactitud la profundidad de corte, cepille un trozo de madera de desecho, mida la diferencia del espesor y ajuste el valor en caso necesario.



Extracción de virutas

- Presione el selector de salida de virutas de manera que la flecha apunte hacia el lado del cepillo que desee que salgan las virutas.
- Acople la bolsa recolectora de polvo al expulsor de virutas para facilitar su desecho.
- También se puede conectar al expulsor de virutas un sistema de extracción de polvo de taller o una aspiradora doméstica, lo que permitirá que el ambiente de trabajo sea más seguro y esté más limpio.



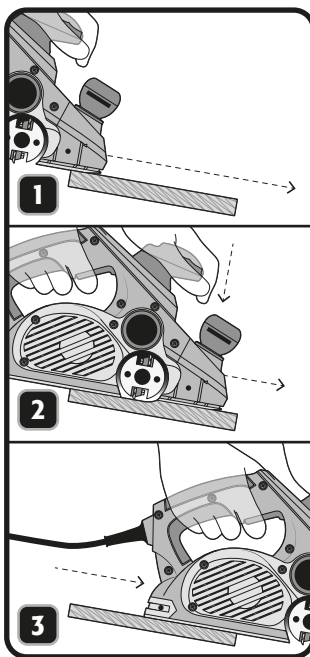
Cepillado

- Apoye la base ajustable sobre la superficie de la pieza de trabajo sin que las cuchillas hagan contacto con ella (1).
- Encienda la herramienta y espere a que las cuchillas alcancen su máxima velocidad.
- Sosteniendo la herramienta con ambas manos hágala avanzar con suavidad, aplicando presión al frente sobre la perilla de ajuste de profundidad (2). El cepillado será más sencillo si la pieza de trabajo se encuentra ligeramente inclinada, de modo que el cepillado sea *cuesta abajo*.
- Empuje la herramienta más allá del borde de la pieza de trabajo sin inclinarla hacia abajo (3).
- La velocidad de cepillado y la profundidad de corte determinan la calidad del acabado. Para un corte áspero, aumente la profundidad de corte; para un acabado fino disminuya la profundidad de corte y haga avanzar la herramienta más despacio.

⚠ ATENCIÓN Un avance demasiado rápido de la herramienta puede producir cortes de mala calidad y daños a las cuchillas o el motor. Si el desplazamiento es demasiado lento se podrá quemar o estropear el corte.

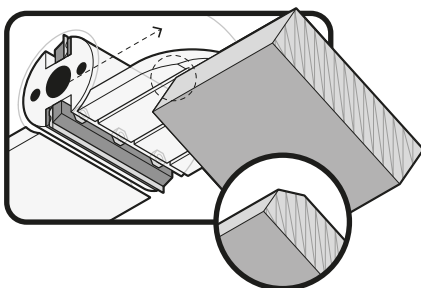
La velocidad correcta de avance dependerá del tipo de material que se esté cortando y la profundidad de cepillado. Haga pruebas en un trozo de material de desecho para calibrar la velocidad correcta de avance y las dimensiones de corte antes de cepillar la pieza de trabajo.

⚠ ADVERTENCIA Asegure la pieza de trabajo con abrazaderas para evitar accidentes y defectos en el corte.



Cortes de bisel

- Para hacer un corte biselado o achaflanado, haga coincidir la esquina de la pieza de trabajo con alguna de las tres muescas de la base ajustable.
- Pase el cepillo alineando la muesca por el borde de esquina.



⚠ ADVERTENCIA Desconecte el contacto del tomacorriente antes de hacer cualquier ajuste, servicio o mantenimiento a la herramienta.

Limpieza y cuidados

- Mantenga la herramienta libre de polvo. Nunca utilice agua o limpiadores químicos para limpiar la herramienta. Limpie solamente con un trapo limpio y seco.
- Siempre mantenga las ventilas limpias y libres de obstrucciones para garantizar un enfriamiento adecuado del motor.
- Inspeccione regularmente todos los tornillos de montaje y asegúrese de que estén apretados correctamente. En caso de que alguno de los tornillos esté suelto, apriételo inmediatamente.
- La armadura y el motor son el corazón de la herramienta eléctrica. Tenga mucho cuidado de que no se vean afectados por aceite o agua.
- Revise periódicamente el cable de alimentación para detectar cualquier tipo de daño. En caso de estar dañados, haga cambiar el cable en un Centro de Servicio Autorizado **TRUPER**.

Cambio de banda

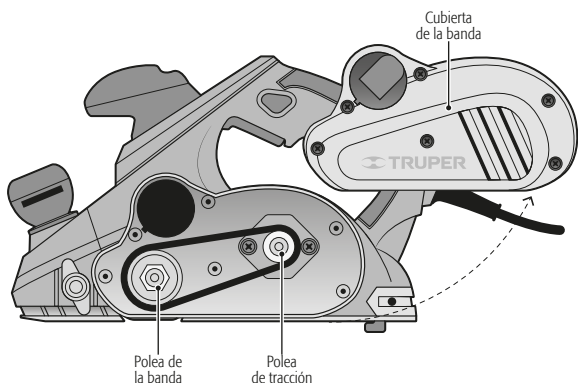
- La banda sufre de un desgaste normal por el uso de la herramienta, por lo que debe cambiarse periódicamente:
- Retire los tornillos de seguridad que ajustan la cubierta de la banda.
- Remueva la banda dañada y utilice un cepillo de cerdas suaves para limpiar las poleas y el área circundante.
- Coloque la nueva banda encima de la polea de tracción y gire la polea para banda mientras empuja la banda hacia dentro.
- Vuelva a colocar la cubierta de la banda y apriete sus tornillos.

Servicio

- El servicio de las herramientas debe ser realizado únicamente en un Centro de Servicio Autorizado **TRUPER**.
- El servicio y mantenimiento realizado por personas no calificadas puede resultar peligroso y llegar a ocasionar daños personales además de invalidar la garantía del producto.

Cambio de carbones

- Los carbones deben revisarse periódicamente y ser reemplazados siempre por un Centro de Servicio Autorizado **TRUPER** cuando se hayan desgastado.
- Después de que hayan sido reemplazados, pida que se inspeccione si los nuevos carbones pueden moverse libremente en el porta-carbón y solicite que enciendan la herramienta durante 5 minutos para emparejar el contacto de los carbones y el conmutador.
- Sólo se deben de usar carbones de repuesto **TRUPER** originales, diseñados específicamente con la dureza y la resistencia eléctrica adecuadas para cada tipo de motor. Los carbones fuera de especificaciones pueden dañar el motor.
- Cuando se haga el cambio de carbones siempre deben reemplazarse los dos carbones.



En caso de tener algún problema para contactar un Centro de Servicio consulte nuestra página www.truper.com donde obtendrá un listado actualizado, o llame al teléfono: 01 (800) 690-6990 ó 01 (800) 018-7873 donde le informarán cuál es el Centro de Servicio Autorizado  más cercano.

- AGUASCALIENTES** 671615 ZARAGOZA NO. 1205, COL. EL SOL, AGUASCALIENTES, AGS. TEL.: 01(449) 996-5978
- BAJA CALIFORNIA SUR** 670796 **CONTRURENTAS** PROL. I. ZARAGOZA Y MÁRQUEZ DE LEÓN, COL. 5 DE FEBRERO, SAN JOSÉ DEL CABO, BCS TEL.: 01(624) 142-4595
- CHIHUAHUA** 670032 **PROVIND** AV. COLEGIO MILITAR No. 4307 A, COL. NOMBRE DE DIOS C.P. 31100, CHIHUAHUA, CHIH. TEL.: 01(614) 424-4000
- 671530 **FERRERÍA AMAYA S.A. DE C.V.** AV. ORTIZ MENA No. 81, COL. CENTRO C.P. 33800 PARRAL, CHIH. TEL.: 01(627) 522-2600
- COAHUILA** 670712 **INDUSTRIAL FERRETERA DE MONCLOVA, S.A. DE C.V.** BLVD. HAROLD R. PAPE No. 1000, COL. CENTRO C.P. 25700 MONCLOVA, COAH. TEL.: 01(866) 652-0174 FAX: 01(866) 653-0719
- COLIMA** 671742 **SURTIDORA DE FERRETERÍA** AV. ANTONIO LEANO ÁLVAREZ No. 527 COL. PONCIANO ARRIAGA TECOMÁN, TEL.: 01(513) 324-2000 y 7666 FAX: 325-2700
- CHIAPAS** 671770 **TORNILLOS Y HERRAMIENTAS PINEDA 17** PONIENTE No. 20-A, COL. CENTRO TAPACHULA, CHIAPAS TEL.: 01(962) 626-2807
- 671709 **FERRERÍA MANDIOLA, S.A. DE C.V.** 5a NORTE PONIENTE No. 1615-B, COL. MOCTEZUMA, C.P. 29000, TUXTLA GUTIÉRREZ, TEL.: 01(961) 602-1544
- 671747 **CENTRO DE SERVICIO DEL SURESTE** LIBRAMIENTO SUR ORIENTE S/N Km 6.5 COL. TRABAJADORES, TUXTLA GUTIÉRREZ, CHIAPAS TEL.: 01(961) 223-2350
- 670515 **FERRERÍA CASUA** RAMÓN CORONA No. 72, COL. BARRIO SANTA LUCÍA C.P. 29250, SAN CRISTOBAL DE LAS CASAS, CHIS. TEL.: 01(967) 678-6283
- 671601 **MATERIALES DE CONSTRUCCIÓN DE LOS ALTOS, S.A. DE C.V.** FRANCISCO I. MADERO No.5, COL. CENTRO, C.P. 29200, SAN CRISTOBAL DE LAS CASAS, CHIS.
- 671730 **MATERIALES Y ACEROS BALAM S.A.** PERIFERICO NORTE-PONIENTE No. 50 COL. BISMAR, SN. CRISTOBAL DE LAS CASAS TEL.: 01 (967) 678-6162 y 7422
- 670781 **PREFABRICADOS DE PALENQUE, S.A. DE C.V.** KM. 1 CARRETERA PALENQUE - PAKAL-NÁ S/N ENTRADA LIENZO CHARRO C.P. 22960, PALENQUE, CHIS. TEL.: 01 (916) 345-1523 | 345-1533
- D.F.** 671829 **EL FUERTE DE LAS HERRAMIENTAS S.A. DE C.V.** PONIENTE 140 No.618 LOCAL B, COL. INDUSTRIAL VALLEJO, AZCAPOTZALCO, C.P. 02300 TELS.: 01(55) 5587-7959 y 7731
- 670995 **EL MONSTRUO DE CORREGIDORA S.A. DE C.V.** CORREGIDORA No.22, COL. CENTRO C.P. 06060 MÉXICO, D.F. TEL.: 01(55) 5522-4861 | 71 y 01(55) 5522-5031, FAX: 01(55) 5522-5021
- 671370 **ADMINISTRADORA FERRETERA, S.A. DE C.V.** CORREGIDORA No. 76-A, COL. CENTRO C.P. 06060 MÉXICO, D.F. TEL.: 01(55) 5522-9976 FAX: 01(55) 5522-9966
- 671131 CERRADA PINO SUÁREZ No. 24, COL. ZONA ESCOLAR C.P. 07230, GUSTAVO A. MADERO, MÉXICO, D.F. TEL.: 01(55) 2207-0882
- 671137 **INGENIERÍA SUMINISTROS Y SERVICIOS INDUSTRIALES** CALZADA DE GUADALUPE No.525-A, COL. ESTRELLA, C.P. 07810, GUSTAVO A. MADERO, MÉXICO, D.F. TEL. Y FAX: 01(55) 5577-9351 | 5781-7079
- DURANGO** 670350 **TORNILLOS ÁGUILA, S.A. DE C.V.** MASURIO No. 200 ESQUINA GALLO, COL. LUIS ECHEVERRÍA C.P. 34250, DURANGO, DGO. TEL.: 01(618) 817-1946 | 818-2655
- 671671 ENRIQUE CARROLA ANTUNA No. 406 COL. CIÉNEGA, DURANGO, DGO. TEL.: 01(618) 825-2710
- ESTADO DE MÉXICO** 671600 **ABC DE MATERIALES, S.A. DE C.V.** VENUSTIANO CARRANZA No. 104 COL. LOS ÁNGELES TOLCINGO, ACOLMAN, EDO. DE MÉXICO TEL.: 01(55) 2958-8504
- 671723 **FERRERÍA TECAMAC S.A. DE C.V.** CARR. MÉXICO-PACHUCA Km 375 TECAMAC, EDO. DE MÉXICO. TEL.: 5934-6396 Y 5934-6271
- 671765 **TLAPALERA CRUZ** AV. CUAUHEMOC No. 3 COL. BO. SAN JOSÉ, TEQUIXQUIAC, TEL.: 591-91-203-44
- 671025 **SERVICIO Y VENTA DE HERRAMIENTAS VG** AV. DE LOS MAESTROS No. 14, COL. LEANDRO VALLE CP.50400, TLANEPANTLA DE BAZ, EDO. DE MÉXICO, TEL.: 01(55) 2628-3120 Y FAX: 01(55) 5398-2104
- 670050 **ABRASIVOS Y SOLDADURAS ESPECIALES DE TOLUCA** ISABEL LA CATÓLICA SUR No. 101 ESQ. MIGUEL HIDALGO COL. STA. CLARA C.P. 50090, TOLUCA, EDO. DE MÉXICO, TEL.: 01(722) 773-1117 | 773-1116 | 214-9458, FAX: 01(722) 215-2145
- 670514 AV. TEXCOCO No. 354, COL. METROPOLITANA 2A SECCIÓN C.P. 57740, CD. NEZAHUALCOYOTL, EDO. DE MÉXICO, TEL.: 01(55) 5792-4458
- GUANAJUATO** 670150 **COMPAÑÍA FERRETERA NUEVO MUNDO S.A. DE C.V.** AV. MÉXICO - JAPÓN No. 225, CD. INDUSTRIAL C.P. 38010, CELAYA, GTO. TEL. Y FAX: 01(461) 617-7578 | 617-7579 | 617-7580 | 617-7588
- 670261 **PROVEEDORES DE HERRAMIENTAS** SINALOA No. 39 COL. MIGUEL HIDALGO IRAPUATO, GTO. TELS.: 01(462) 626-3813, 124-8806 FAX: 01(462) 623-0523
- 671492 **HERRAMIENTAS Y SERVICIOS DE LEÓN S. DE R.L. DE C.V.** LÓPEZ MATEOS ORIENTE No. 230, COL. CENTRO CP. 37000 LEÓN, GTO. TEL./FAX 01(477) 714-6514
- 671290 **EL GRINGO** LIBRAMIENTO SUR No. 609, COL. DEL SOL C.P. 37900 SAN LUIS DE LA PAZ, GTO. TEL. Y FAX: 01(468) 688-4886
- GUERRERO** 670926 **DISTRIBUIDORA RAGASA, S.A. DE C.V.** AV. LÁZARO CÁRDENAS No. 908, COL. CENTRO C.P. 40660 CD. ALTAMIRANO, GRO. TEL.: 01(767) 672-0843
- 671637 LAS PALMERAS No. 48 COL. CENTRO, COYUCA DE BENÍTEZ, GRO. TEL.: 01(781) 452-0815
- 671677 MARIANO ABASOLO S/N COL. OMETEPEC CENTRO, OMETEPEC, GRO. TEL.: 01(741) 412-1359
- HIDALGO** 670915 **MUNDO TOOL MÉXICO, S.A. DE C.V.** ALLENDE No. 320, COL. CENTRO C.P. 42000, PACHUCA, HGO. TEL. Y FAX: 01(771) 715-0048
- 670640 **SAN ANTONIO MATERIALES PARA CONSTRUCCIÓN** CARR. MÉXICO-PACHUCA km 81.5 COL. SAN ANTONIO EL DESMONTE, TEL.: 01(771) 711-0732
- 670655 **FERREPRECIOS, S.A. DE C.V.** LIBERTAD ORIENTE No. 304 LOCAL 30, INTERIOR DE PASAJE ROBLEDO, COL. CENTRO, TULANCINGO, TEL. 01(775) 753-6615 y 16

JALISCO 670855 **MAGNOCENTRO FERRETERO, S.A. DE C.V.**
AV. LA PAZ No.1180, COL. CENTRO, GUADALAJARA, JAL.
TEL.: 01(33) 3658-1867 y 59
FAX: 01(33) 3658-1870

670770 **ACEROS Y MATERIALES DIAZ S.A. DE C.V. AV.**
FRANCISCO ZARCO No. 755, COL. FLORIDA C.P. 47800,
OCOTLAN, JAL. TEL.: 01(392) 922-4740 | 922-0177

MICHOACÁN 671737 **EQUIPOS Y HERRAMIENTAS PROFESIONALES**
JOSÉ MANUEL DE HERRERA No. 149, COL. CENTRO,
APATZINGÁN, TEL. 01(453) 534-2204

671766 **SERVICIOS Y HERRAMIENTAS DEL SUR**
AV. 22 DE OCTUBRE No. 303 COL. MIGUEL HIDALGO,
APATZINGÁN, TEL. 01(453) 534-2033

671830 **MOTOSIERRAS Y SERVICIOS DE MORELIA**
MORELOS NORTE No. 821 COL. CENTRO, MORELIA, C.P.
58000 TEL.: 01(445) 317-9482

670336 **FERREMAQUINARIA INDUSTRIAL S.A. DE C.V.**
AV. LÁZARO CÁRDENAS No. 241, COL. CENTRO C.P.
60950, CD. LÁZARO CÁRDENAS, MICH.
TEL.: 01(753) 532-0738 | 532-4396 | 532-2541 FAX:
01(753) 532-3366

670872 **MATERIALES GARCÍA Y BARRAGÁN S.A. DE C.V.**
IGNACIO ZARAGOZA No. 187 B, COL. CENTRO,
C.P. 61650, TACÁMBARO, MICH. TEL.: 01(459) 596-0190,
FAX: 01(459) 596-0700

671130 **HERRAMIENTAS Y SERVICIOS FORESTALES DE ZAMORA**
AV. JUÁREZ No. 213 OTE. ENTRE 5 DE
MAYO Y AQUILES SERDAN, COL. CENTRO C.P. 59600,
ZAMORA, MICH. TEL.: 01(351) 517-8420

670805 **LA NUEVA FERRETERÍA TRUPER**
GENERAL PUEBLITA No. 356, COL. CENTRO C.P. 58600,
ZACAPU, MICH. TEL.: 01(456) 363-3351

671115 **HERRAMIENTAS Y SERVICIOS INDUSTRIALES DE ZITACUARO**
NETZAHUALCOYOTL NORTE No. 6, COL.
MOCTEZUMA C.P. 61505, ZITACUARO, MICH.
TEL.: 01(715) 151-3228

671664
AVENIDA FRANCISCO VILLA No. 31 COL. MORELOS,
URUAPAN, MICH. TEL.: 01(452) 528-9536

MORELOS 671877 **FERRETERIA MATERIALES DURAMAX** km 100 CARR.
MEXICO-ACAPULCO, COL. ALPUYECA, C.P. 62797
TEL.: 01(777) 678-9069 TEL. / FAX: 01(777) 678-7956

OAXACA 671625 **MARTÍNEZ BARRANCO, S.A. DE C.V.** AV. LA
PAZ No. 721 COL. CALIFORNIA, OAXACA TEL.: 01(951)
133-1521

671712 **MUNDO MAKITA** SÍMBOLOS PATRIOS No. 101,
COL. ELISEO JIMÉNEZ RUIZ, OAXACA, OAX

671782 **MIFERRE**
CARR. COSTERA DEL PACÍFICO No. 300, COL. LOS
MANGALES, PUERTO ESCONDIDO TEL.: 01(954) 582-4218

671794 **AGROBOMBAS ROSARIOS S.A.** AV.
INDEPENDENCIA No. 1323 COL. LA PIRAGUA, TUXTEPEC
C.P. 68500 TEL.: 01(287) 875-1365

PUEBLA 671420 **DISTRIBUIDORA DE HERRAMIENTAS MANUALES ZAVALETA, S.A. DE C.V.**
RIVERA ATOYAC No. 325, COL. SANTA CRUZ BUENA VISTA,
C.P. 72810, SAN ANDRÉS CHOLULA, PUE. TEL. / FAX:
01(222) 249-8592

671211 **SERVITEC**
AV. DE LA JUVENTUD No. 1103 ESQ. 7 SUR, COL. NICÓLAS
BRAVO C.P. 75790, TEHUACAN, PUE. TEL. / FAX: 01(238)
371-7200

671822 **TIENDA FIX TEHUACÁN**
AV. SEGUNDA DE MORELOS No. 303, COL. CENTRO,
TEHUACÁN, TEL.: 01(238) 384-8640

QUERÉTARO 670402 **MOTORES Y HERRAMIENTAS ELÉCTRICAS**
AV. 6 No. 1004-B ESQ. CALLE 19, COL. LOMAS DE CASA
BLANCA C.P. 76080, QUERÉTARO, QRO.
TEL. Y FAX : 01(442) 167-4733

671265 **FERRETERA PRADO HERRAMIENTAS S.A. DE C.V.**
AV. UNIVERSIDAD No. 325-A, COL. GRANJAS
MANTHI C.P. 76808, SAN JUAN DEL RIO, QRO.
TEL. / FAX : 01(427) 268-4544

QUINTANA ROO 670046 **CENTRO FERRETERO DE CANCÚN**
AV. COMACALCO No. 12, COL. SUPERMANZANA 59 C.P.
77515, CANCÚN, Q. ROO.
TEL.: 01(998) 886-8777 | 887-6616

671011
ÁLVARO OBREGÓN No. 281-283 COL. CENTRO,
CHETUMAL, QUINTANA ROO TEL.: 01(983) 833-2358

671732 **MULTISIERRAS TALICUMI** AVENIDA MIGUEL
HIDALGO NO.221 COL. VENUSTIANO CARRANZA,
CHETUMAL.

SAN LUIS POTOSÍ 671636 **95/24 MÉXICO, S.A. DE C.V.** SUC. SLP
AV. UNIVERSIDAD No. 1850 COL. EL PASEO, SAN LUIS
POTOSÍ C.P. 78320 TEL. / FAX: 01(444) 822-4341

SINALOA 671642
JACARANDAS S/N COL. DEL BOSQUE, GUASAVE, SIN.
TEL.: 01(687) 871-2656

SONORA 671045 **FERRETERÍA LA ÚNICA**
LÁZARO MERCADO No. 1234 COL. MUNICIPIO LIBRE C.P.
85080 CD. OBREGÓN, SON. TEL. / FAX: 01(644) 412-9836

TABASCO 671610 **GRUPO VAQUEIRO FERRETERO, S.A. DE C.V.**
PERIFÉRICO CARLOS PELLICER CÁMARA No. 2810 COL.
MIGUEL HIDALGO, VILLAHERMOSA, C.P. 86250 TEL. /
FAX: 01(993) 116-1901 y 41 EXT. 106

671432 **MERCADO DE LA SOLDADURA DEL SURESTE, S.A. DE C.V.** BLVD. ADOLFO RUIZ CORTÍNEZ 2001-B,
COL. ATASTA, VILLAHERMOSA, C.P. 86100 TEL.: 01(933)
161-4820 | 161-4479

TAMAULIPAS 671480 **CONSTRURAMA GÁLVEZ**
REVOLUCIÓN No. 1002, COL. BUENA VISTA C.P. 88120
NVO. LAREDO, TAM. TEL. / FAX: 01(867) 710-3100

671755 **FERRETERÍA ZANELLA**
AV. TAMAULIPAS No. 713 COL. REVOLUCIÓN VERDE,
TAMPICO, TEL.: 01(833) 306-6537

TLAXCALA 671684 **SERVICIO JUNIOR**
CALLE 2 DE ABRIL PONIENTE No. 506, COL. CENTRO,
APIZACO, TEL. 01(241) 112-0996

VERACRUZ 671435 **METALURVE, S.A. DE C.V.** CALLE 18 No. 2117,
FRACC. LOMAS C.P. 94570 CORDOBA, VER. TEL.: 01(271)
714-8584

671635 **LA CASA DISTR. TRUPER**
SUC. AV. YUCATÁN No. 137-A, COL. YUCATÁN C.P. 93600
MARTÍNEZ DE LA TORRE, VER. TEL.: 01(232) 373-5420

671478 **TALLER ELÉCTRICO MATHÉY**
ATENAS No. 71, COL. NUEVA MINA C.P. 96760
MINATITLAN, VER. TEL. / FAX : 01(922) 223-5601

671605
HUMBOLT SUR No. 49, COL. CENTRO C.P. 91270 PEROTE,
VER. TEL.: 01(282) 832-0327 | 825-6408

670397 **LA CASA DISTRIBUIDORA TRUPER** CALLE
URUGUAY No. 713, COL. 27 DE SEPTIEMBRE C.P. 93320,
POZA RICA, VER. TEL. / FAX: 01(782) 823-8100 | 826-8484

671535 **DISTRIBUIDORA SANVER S.A. DE C.V.**
CARRETERA NAL. TUXPAN-TAMPICO Km 64, COL. LA
MORITA, TANTOYUCA, C.P. 92101 TEL.: 01(789) 893-3030

671451 **MAYORISTAS JAGUAR S.A. DE C.V.** AV.
IGNACIO ALLENDE No. 2377 COL. CENTRO, VERACRUZ,
TEL.: 01(229) 931-1891

671781 **MATERIALES Y ACEROS TUCÁN S.A. DE C.V.**
PROL. AV. MIGUEL ALEMÁN No. 3800 COL. ARTÍCULO
123, VERACRUZ, TEL.: 01(229) 923-0070

671452 **COMERCIALIZADORA FERREMAR** CAYETANO
RIVERA No. 47 COL. DEL MAESTRO, VERACRUZ, TEL.
01(229) 922-7948
TEL. / FAX : 01(229) 927-1771

SUCURSAL TIJUANA

BLVD. INSURGENTES No. 6101 ENTRE BLVD.
MANUEL CLOUTIER Y PASEO GUAYCURA, FRACC.
GUAYCURA, DELEGACIÓN CERRO COLORADO,
(ANTES LA PRESA) C.P. 22216, TIJUANA, B.C.
CONMUTADOR: 01(664) 969-5100

SUCURSAL CULIACÁN

LIBRAMIENTO BENITO JUÁREZ No. 5599 B4,
EJIDO DE LAS FLORES (LA COSTERITA), C.P.
80296, CULIACÁN, SINALOA
CONMUTADOR: 01(667) 760-5747

SUCURSAL VILLAHERMOSA

CALLE HELIO LOTES 1, 2 Y 3 MZNA. No. 1, COL.
INDUSTRIAL, 2A ETAPA C.P. 86010,
VILLAHERMOSA, TAB.
CONMUTADOR : 01(993) 353-7244

SUCURSAL GUADALAJARA

AV. DEL BOSQUE No. 1243, FRACC. INDUSTRIAL
EL BOSQUE II ENTRE PERIFÉRICO SUR Y CALLE
INCALPA C.P. 45590, TLAQUEPAQUE, JAL.
CONMUTADOR: 01(33) 3606-5290

SUCURSAL MÉRIDA

CALLE 33 No. 600 y 602 LOCALIDAD ITZINCAB Y
MULSAY, MUNICIPIO UMAN, YUCATÁN, C.P. 97390
MÉRIDA, YUC. CONMUTADOR: 01(999) 912-2451

SUCURSAL MONTERREY

AV. STIVA No. 275, PARQUE INDUSTRIAL STIVA
BARRAGÁN, SAN NICÓLAS DE LOS GARZAS,
C.P. 66420, MONTERREY, N.L.
TELS.: 01(81) 8352-8791 y 8790

SUCURSAL PUEBLA

DEFENSORES DE LA REPÚBLICA No. 1118, ENTRE
CALLE TECNOLÓGICO Y AVENIDA 18 DE
NOVIEMBRE, COL. FAUNA MARINA, PUEBLA,
PUEBLA, C.P. 72260
CONMUTADOR: 01(222) 282-8282

SUCURSAL LAGUNA

CALLE METAL MECÁNICA No. 280, PARQUE
INDUSTRIAL ORIENTE, TORREÓN, COAHUILA, C.P.
27278
CONMUTADOR: 01(871) 209-6823

SUCURSAL CENTRO FORÁNEO

AV. PARQUE INDUSTRIAL No. 1-A, JILOTEPEC C.P.
54240 ESTADO DE MÉXICO
CONMUTADOR: 01(761) 782-9101 EXT. 5728 y
5102

SUCURSAL CENTRO

CALLE D No. 31-A, COL. MODELO DE ECHEGARAY
C.P. 53330, NAUCALPAN, EDO. DE MÉXICO
TEL.: 01(55) 5371-3500

TRUPER, S.A. de C.V.

Parque Industrial No.1, Jilotepec, C.P. 54240, Estado de México, México
TEL. 01(761) 782 91 00, FAX 01(761) 782 91 70, R.F.C.: THE-791105-HP2

www.truper.com